

Downlights

INSTALLATION INSTRUCTIONS



IMPORTANT:
CAUTION:

WARNING:

Read **ALL** instructions before starting installation.

To reduce risk of shock, **TURN OFF ELECTRICAL SUPPLY** before installing / servicing the fixtures.

Fixture must be installed in accordance of National Electrical Code (NEC) and/or any local codes. Failure to do so may result in serious injury and/or damage to the fixture.

Recommended Tools

Hammer



Screw Driver
(Phillips)



Wire
Stripper



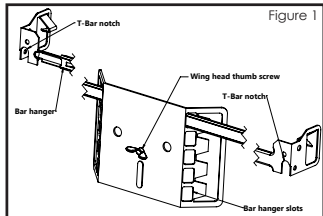
Wire Nuts



Safety Instructions

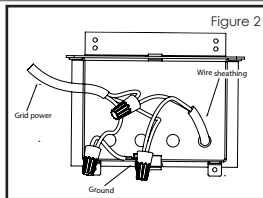
- Observe and follow all label information and instructions regarding dry, damp and wet location listings, proper lamp type and wattage, warnings of installation near combustible materials and/or insulation.
- Turn off power at circuit breaker before attempting to install or perform maintenance on the fixtures.
- Be sure to connect ground wire to prevent electric shock or other potential hazards.
- The product must be installed in a manner consistent with the intended use and in compliance with the national electrical codes and local codes.
- Do not block the trim aperture as this may cause unsafe operating conditions.
- **WARNING: RISK OF FIRE.** Most dwellings built before 1985 have supply wire rated for 60°C. Consult a qualified electrician before installation. The fixture must be connected with supply wire rated for at least 75°C.
- Use only Solais Lighting trims listed for use with this fixture. Use of trims other than those listed by Solais Lighting is a violation of N.E.C 110-3(B) and voids all warranties. Use **ONLY** with proper Solais Lighting modules.

Installation Instructions



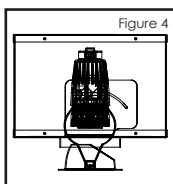
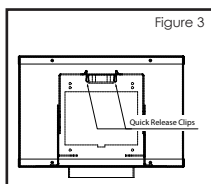
- Universal mounting bracket has slot openings for C-channel. (Figure 1)
- C-Channel hangers are recommended for T-Bar ceilings, install with notches facing down to engage T-Bar grid. (Figure 1)
- Mounting bracket includes a wing nut to adjust fixture to accommodate different ceiling thickness or ceiling construction. (Figure 1)

Making Electrical Connections



- Remove desired knock out for conduit or romex cable. Use only UL listed connectors.
- Connect black wire from fixture to black (**HOT**) supply wire, white wire from fixture to white (**NEUTRAL**) supply wire and connect the ground from fixture to green (**GROUND**) supply wire. Use UL listed connectors or wire nuts to make the connections (provided by others). (Figure 2)
- Close and lock door ensuring all wire connections and wire are contained within the junction box.

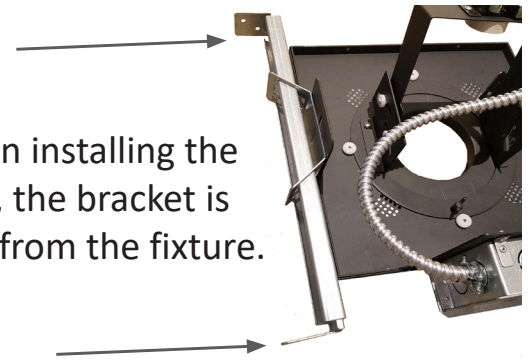
Installation Instructions



- Pinch quick release clips on GU24 socket inside housing to removed socket. (Figure 3)
- Install module into GU24 socket.
- Push GU24 socket's quick release clips back into housing to secure module and socket.
- Squeeze torsion springs on trim and insert into bracket in housing. (Figure 4)
- Push trim into housing ensuring the trim is flush with the ceiling.
- Once all fixtures have been installed, power at breaker can be restored.

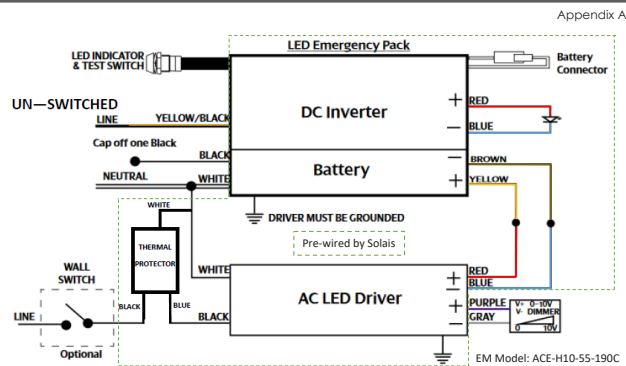
NOTICE

Be sure that when installing the Solais Downlight, the bracket is facing out, away from the fixture.

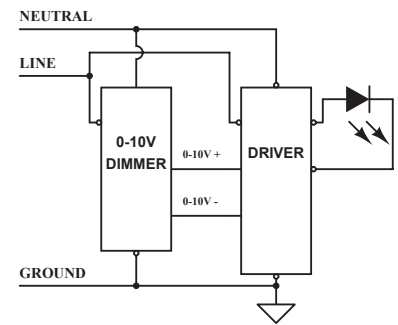
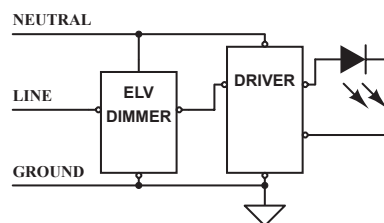
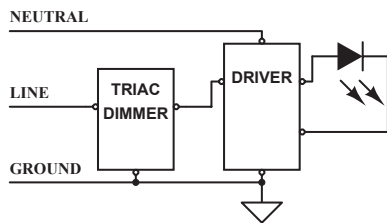


Details

EM Battery Back-Up



Y-Series Dimming



X-Series 0 - 10 V Dimming (with Solais Converter)

