

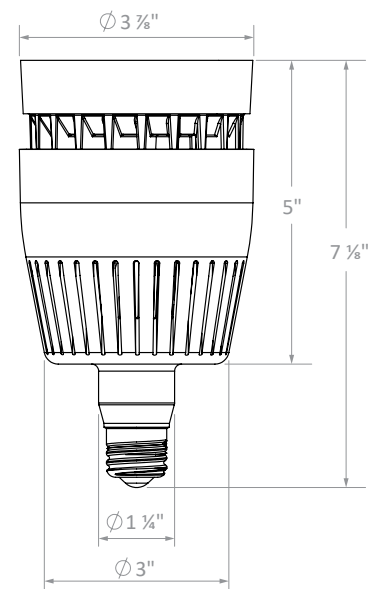
# XL30

## 6" DOWNLIGHT RETROFIT LIGHT ENGINE

- / 120 V Standard
- / 50,000 Hours (L70)
- / UL Certified
- / RoHS-compliant
- / Dry location rating
- / Contains no lead or mercury
- / Fully dimmable; Compatibility list available.
- / **Special order only; Consult factory for lead time.**
- / Tested in compliance with UL retrofit standards for 6" downlights with a minimum 6" diameter opening and 8 ½" height. Consult factory for testing in specific fixture.
- / Compatible with HID protected and unprotected E26, E39 and EX39 sockets for HID retrofit use, provided thermal fuse must be wired into the existing fixture's j-box.
- / **ViOLight** color rendering enhancements available
- / \* 90+ High CRI available for 27K and 30K. Consult factory for availability in other color temperatures. To order, replace 'K' in CCT designation with 'h' in code.



Weight: 22.4 oz.



### Ordering Information

Example: XL30/25/30K/3500/WH/SN

Fixture	Beam Spread	CCT / Lumens	Housing Color	Options
XL30	15	30K / 2100	WH - White	TS - Tapered Snoot
	25	30v / 2100	SV - Silver	HL - Honeycomb Louver
	40	35K* / 2100	BK - Black	SL - Linear Spread
		40K* / 2100		SS - Solite Spread
				SF - Frosted Spread
				More Accessories Available

Fixture	Fixture Code			Power (Watts)	CBCP (cd)	Standard CRI
	Beam Angle	CCT	Delivered Lumens			
XL30	15	30K	2100	20	22454	85
	25				11961	
	40				4134	
	15	30v	≈2100		21333	
	25				11115	
	40				3508	

\*Consult factory for lead time and availability  
 Note: ViOLight and High CRI products will produce up to 20% less measured lumens than their standard CCT equivalent; Although, ViOLight product perceived lumens will be noticeably higher than their standard counterparts.



**Thermal Throttle** – In the event that Solais products begin to overheat, they will undetectedly dim themselves to protect your technology investments.



**Luxiance** utilizes active cooling to remove heat from the LED system - allowing Solais LED lamps to operate cooler, resulting in superior life, light output, and performance.



Warranty



IES Files



Dimmers



Accessories

**WARNING:** Not for use in fully enclosed luminaires. Risk of electric shock. Use in an indoor, dry location only. This device is not intended for use with emergency exit fixtures or emergency exit lights. May not be compatible with all dimmers; please visit [solais.com/dimming](http://solais.com/dimming) for up-to-date dimmer compatibility information.

**NOTES:** This device complies with Part 15 of the FCC Rule. This product may cause interference with other devices. If interference occurs, change the locations of the products involved. **Compatible on 120v systems.**