

XFR11

LOW-MID OUTPUT | 1-HEAD
FULLY RECESSED MULTIPLE

PROJECT _____

TYPE _____

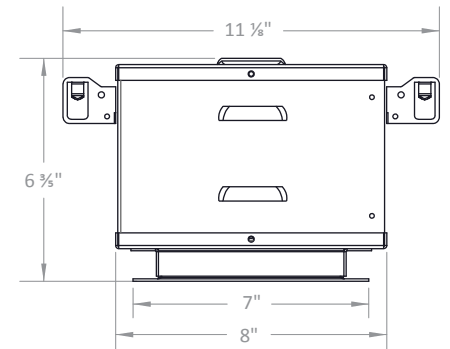
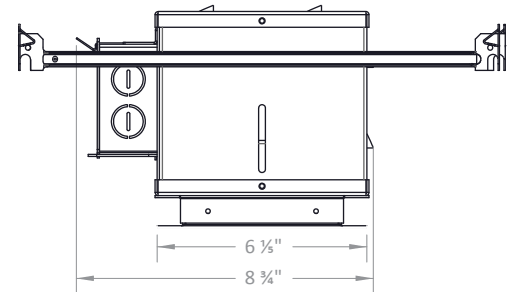
- / 120 V Standard; *277 V option available for ETL fixture
- / 50,000 Hours (L70)
- / Integrated driver
- / UL Certified
- / RoHS-compliant
- / Dry location rating
- / Contain no lead or mercury
- / Fully dimmable; Compatability list available.
0-10 V Dimming option available*

- / Individually specifiable optics
- / Modules are field-replaceable for easy maintenance and design changes; No tools needed
- / Designed for new construction ceilings only.
- / Rated for IC and Non-IC use; Spray Foam Rated* option available

- / **ViOLight** and ***MonoWhite** color rendering enhancements available
- / * 90+ High CRI available for 27K and 30K. Consult factory for availability in other color temperatures. To order, replace 'K' in CCT designation with 'h' in code below



Weight w/o module: 7 lb
Ceiling Cut-Out: 10 1/2" x 4 3/8"



Ordering Information

Example: XFR11/Xm20/25-25/30K/1100/WH/WH/SL-SL

Fixture	Module	Beam Spread	CCT / Lumens	Options + Accessories		
XFR11	Xm20	COB-optic	25K* / 775	277 V*		
			15c	27K / 850	SFR* - Spray Foam Rated	
			25c	30K / 900	010 - 0-10 V Dimming*	
			40c	30m* / 900	HL - Honeycomb Louver	
				35K* / 900	SL - Linear Spread	
				35m* / 900	SP - Prismatic Spread	
				40K* / 900	SS - Solite Spread	
						More Accessories Available
						Trim Finish
						Die-cast, Powder Coated
				WH / WH - White Module, Interior + Flange		
				BK / BK - Black Module, Interior + Flange		
				BK / WH* - Black Module + Interior, White Flange		
				Trimless Die-cast, Powder Coated		
				WH / TR* - White Module + Interior, Trimless Mud Flange		
			BK / TR* - Black Module + Interior, Trimless Mud Flange			
		Multi-optic	27K / 1400			
		15m	30K / 1450			
		25m	30v / 1450			
		40m	35K* / 1450			
		40K* / 1450				
		Specialty	27K / 500			
		08*	30K / 500			

XFR11

LOW-MID OUTPUT | 1-HEAD
FULLY RECESSED MULTIPLE

PROJECT _____

TYPE _____

Fixture Code				Power (Watts)	CBCP (cd)	Standard CRI	
Fixture	Beam Angle	CCT	Delivered Lumens				
Xm20	15c	25K*	775	12.5	4300	83	
	25c				2230		
	40c				1030		
	15c	27K	850		4700		
	25c				2435		
	40c				1130		
	15c	30K	900		5000		
	25c				2590		
	40c				1200		
	15c	30m*	≈900		5000	90	
	25c				35m*		2590
	40c						1200
	15c	25K*	1000		7650		83
	25c				4195		
	40c				1775		
	15c	27K	1050		8000		
	25c				4430		
	40c				1850		
	15c	30K	1100	8400			
	25c			4660			
	40c			1950			
	15c	30m*	≈1100		8400	90	
	25c				35m*		3700
	40c						1950
15m	27K	1400	17		14788		83
25m			5548				
40m			2435				
15m	30K	1450	15245				
25m			5720				
40m			2510				
15m	30v	≈1450		12967			
25m				4983			
40m				2089			
08	27K	500		12		15959	75
	30K						

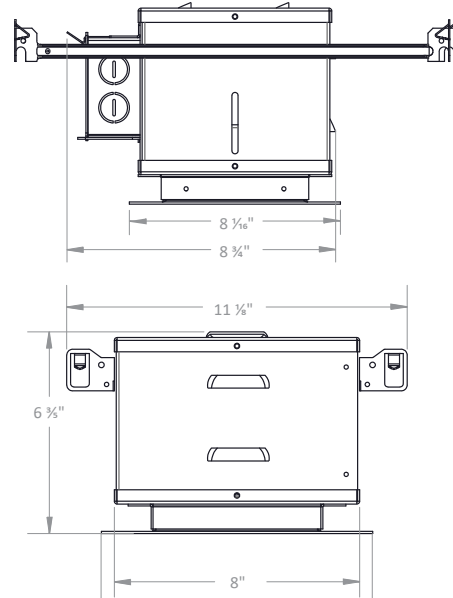


TRIMLESS w/o FLANGE*

Max Ceiling Thickness: 3/8" Standard; Other Options*

Ceiling Cut-Out: 6 1/4" x 5 7/16"

Weight w/o module: 4 3/8 lb



Warranty



IES Files



Dimmers



Accessories



Installation

*Consult factory for lead time and availability

Note: VioLight, MonoWhite and High CRI products will produce up to 20% less measured lumens than their standard CCT equivalent; Although, VioLight and MonoWhite product perceived lumens will be noticeably higher than their standard counterparts.

XFR11

LOW-MID OUTPUT | 1-HEAD
FULLY RECESSED MULTIPLE



PROJECT _____

TYPE _____

APPLICATION DATA																																																																																																							
D	Diameter				L	Length (50% of Max FC)																																																																																																	
DF	Distance to Floor				W	Width (50% of Max FC)																																																																																																	
FC	Illuminance (Foot Candles)				CB	Distance to Center of Beam																																																																																																	
1450 LUMENS MULTI-OPTIC																																																																																																							
0° AIMING ANGLE HORIZONTAL FOOTCANDLES																																																																																																							
<table border="1"> <thead> <tr> <th></th><th colspan="3">15° Spot</th><th colspan="3">25° Narrow Beam</th><th colspan="3">40° Flood</th></tr> <tr> <th>DF</th><th>D</th><th>FC</th><th>D</th><th>FC</th><th>D</th><th>FC</th></tr> </thead> <tbody> <tr><td>6'</td><td>1.58</td><td>423</td><td>2.66</td><td>159</td><td>4.36</td><td>70</td></tr> <tr><td>9'</td><td>2.36</td><td>188</td><td>4</td><td>71</td><td>6.56</td><td>31</td></tr> <tr><td>12'</td><td>3.16</td><td>106</td><td>5.32</td><td>40</td><td>8.74</td><td>17</td></tr> <tr><td>15'</td><td>3.94</td><td>68</td><td>6.66</td><td>25</td><td>10.92</td><td>11</td></tr> <tr><td>18'</td><td>4.74</td><td>47</td><td>7.98</td><td>18</td><td>13.1</td><td>8</td></tr> </tbody> </table>														15° Spot			25° Narrow Beam			40° Flood			DF	D	FC	D	FC	D	FC	6'	1.58	423	2.66	159	4.36	70	9'	2.36	188	4	71	6.56	31	12'	3.16	106	5.32	40	8.74	17	15'	3.94	68	6.66	25	10.92	11	18'	4.74	47	7.98	18	13.1	8																																							
	15° Spot			25° Narrow Beam			40° Flood																																																																																																
DF	D	FC	D	FC	D	FC																																																																																																	
6'	1.58	423	2.66	159	4.36	70																																																																																																	
9'	2.36	188	4	71	6.56	31																																																																																																	
12'	3.16	106	5.32	40	8.74	17																																																																																																	
15'	3.94	68	6.66	25	10.92	11																																																																																																	
18'	4.74	47	7.98	18	13.1	8																																																																																																	
30° AIMING ANGLE HORIZONTAL FOOTCANDLES																																																																																																							
<table border="1"> <thead> <tr> <th></th><th colspan="4">15° Spot</th><th colspan="4">25° Narrow Beam</th><th colspan="4">40° Flood</th></tr> <tr> <th>DF</th><th>FC</th><th>L</th><th>W</th><th>CB</th><th>FC</th><th>L</th><th>W</th><th>CB</th><th>FC</th><th>L</th><th>W</th><th>CB</th></tr> </thead> <tbody> <tr><td>6'</td><td>317</td><td>2.11</td><td>1.82</td><td>6.93</td><td>119</td><td>3.61</td><td>3.08</td><td>6.93</td><td>52</td><td>6.09</td><td>5.04</td><td>6.93</td></tr> <tr><td>9'</td><td>141</td><td>3.18</td><td>2.74</td><td>10.4</td><td>53</td><td>5.41</td><td>4.62</td><td>10.4</td><td>23</td><td>9.11</td><td>7.58</td><td>10.4</td></tr> <tr><td>12'</td><td>79</td><td>4.24</td><td>3.66</td><td>13.9</td><td>30</td><td>7.22</td><td>6.16</td><td>13.9</td><td>13</td><td>12.18</td><td>10.12</td><td>13.9</td></tr> <tr><td>15'</td><td>51</td><td>5.29</td><td>4.56</td><td>17.3</td><td>19</td><td>8.97</td><td>7.68</td><td>17.3</td><td>8</td><td>15.26</td><td>12.6</td><td>17.3</td></tr> <tr><td>18'</td><td>35</td><td>6.34</td><td>5.48</td><td>20.8</td><td>13</td><td>10.82</td><td>9.22</td><td>20.8</td><td>6</td><td>18.33</td><td>15.14</td><td>20.8</td></tr> </tbody> </table>														15° Spot				25° Narrow Beam				40° Flood				DF	FC	L	W	CB	FC	L	W	CB	FC	L	W	CB	6'	317	2.11	1.82	6.93	119	3.61	3.08	6.93	52	6.09	5.04	6.93	9'	141	3.18	2.74	10.4	53	5.41	4.62	10.4	23	9.11	7.58	10.4	12'	79	4.24	3.66	13.9	30	7.22	6.16	13.9	13	12.18	10.12	13.9	15'	51	5.29	4.56	17.3	19	8.97	7.68	17.3	8	15.26	12.6	17.3	18'	35	6.34	5.48	20.8	13	10.82	9.22	20.8	6	18.33	15.14	20.8
	15° Spot				25° Narrow Beam				40° Flood																																																																																														
DF	FC	L	W	CB	FC	L	W	CB	FC	L	W	CB																																																																																											
6'	317	2.11	1.82	6.93	119	3.61	3.08	6.93	52	6.09	5.04	6.93																																																																																											
9'	141	3.18	2.74	10.4	53	5.41	4.62	10.4	23	9.11	7.58	10.4																																																																																											
12'	79	4.24	3.66	13.9	30	7.22	6.16	13.9	13	12.18	10.12	13.9																																																																																											
15'	51	5.29	4.56	17.3	19	8.97	7.68	17.3	8	15.26	12.6	17.3																																																																																											
18'	35	6.34	5.48	20.8	13	10.82	9.22	20.8	6	18.33	15.14	20.8																																																																																											
Multipliers 1400 lumens: 0.97																																																																																																							
1100 LUMENS COB-OPTIC																																																																																																							
0° AIMING ANGLE HORIZONTAL FOOTCANDLES																																																																																																							
<table border="1"> <thead> <tr> <th></th><th colspan="3">15° Spot</th><th colspan="3">25° Narrow Beam</th><th colspan="3">40° Flood</th></tr> <tr> <th>DF</th><th>D</th><th>FC</th><th>D</th><th>FC</th><th>D</th><th>FC</th></tr> </thead> <tbody> <tr><td>6'</td><td>1.58</td><td>233</td><td>2.66</td><td>129</td><td>4.36</td><td>54</td></tr> <tr><td>9'</td><td>2.36</td><td>104</td><td>4</td><td>58</td><td>6.56</td><td>24</td></tr> <tr><td>12'</td><td>3.16</td><td>58</td><td>5.32</td><td>32</td><td>8.74</td><td>14</td></tr> <tr><td>15'</td><td>3.94</td><td>37</td><td>6.66</td><td>21</td><td>10.92</td><td>9</td></tr> <tr><td>18'</td><td>4.74</td><td>26</td><td>7.98</td><td>14</td><td>13.1</td><td>6</td></tr> </tbody> </table>														15° Spot			25° Narrow Beam			40° Flood			DF	D	FC	D	FC	D	FC	6'	1.58	233	2.66	129	4.36	54	9'	2.36	104	4	58	6.56	24	12'	3.16	58	5.32	32	8.74	14	15'	3.94	37	6.66	21	10.92	9	18'	4.74	26	7.98	14	13.1	6																																							
	15° Spot			25° Narrow Beam			40° Flood																																																																																																
DF	D	FC	D	FC	D	FC																																																																																																	
6'	1.58	233	2.66	129	4.36	54																																																																																																	
9'	2.36	104	4	58	6.56	24																																																																																																	
12'	3.16	58	5.32	32	8.74	14																																																																																																	
15'	3.94	37	6.66	21	10.92	9																																																																																																	
18'	4.74	26	7.98	14	13.1	6																																																																																																	
30° AIMING ANGLE HORIZONTAL FOOTCANDLES																																																																																																							
<table border="1"> <thead> <tr> <th></th><th colspan="4">15° Spot</th><th colspan="4">25° Narrow Beam</th><th colspan="4">40° Flood</th></tr> <tr> <th>DF</th><th>FC</th><th>L</th><th>W</th><th>CB</th><th>FC</th><th>L</th><th>W</th><th>CB</th><th>FC</th><th>L</th><th>W</th><th>CB</th></tr> </thead> <tbody> <tr><td>6'</td><td>175</td><td>2.11</td><td>1.82</td><td>6.93</td><td>97</td><td>3.61</td><td>3.08</td><td>6.93</td><td>41</td><td>6.09</td><td>5.04</td><td>6.93</td></tr> <tr><td>9'</td><td>78</td><td>3.18</td><td>2.74</td><td>10.4</td><td>43</td><td>5.41</td><td>4.62</td><td>10.4</td><td>18</td><td>9.11</td><td>7.58</td><td>10.4</td></tr> <tr><td>12'</td><td>43</td><td>4.24</td><td>3.66</td><td>13.9</td><td>24</td><td>7.22</td><td>6.16</td><td>13.9</td><td>10</td><td>12.18</td><td>10.12</td><td>13.9</td></tr> <tr><td>15'</td><td>28</td><td>5.29</td><td>4.56</td><td>17.3</td><td>16</td><td>8.97</td><td>7.68</td><td>17.3</td><td>7</td><td>15.26</td><td>12.6</td><td>17.3</td></tr> <tr><td>18'</td><td>19</td><td>6.34</td><td>5.48</td><td>20.8</td><td>11</td><td>10.82</td><td>9.22</td><td>20.8</td><td>5</td><td>18.33</td><td>15.14</td><td>20.8</td></tr> </tbody> </table>														15° Spot				25° Narrow Beam				40° Flood				DF	FC	L	W	CB	FC	L	W	CB	FC	L	W	CB	6'	175	2.11	1.82	6.93	97	3.61	3.08	6.93	41	6.09	5.04	6.93	9'	78	3.18	2.74	10.4	43	5.41	4.62	10.4	18	9.11	7.58	10.4	12'	43	4.24	3.66	13.9	24	7.22	6.16	13.9	10	12.18	10.12	13.9	15'	28	5.29	4.56	17.3	16	8.97	7.68	17.3	7	15.26	12.6	17.3	18'	19	6.34	5.48	20.8	11	10.82	9.22	20.8	5	18.33	15.14	20.8
	15° Spot				25° Narrow Beam				40° Flood																																																																																														
DF	FC	L	W	CB	FC	L	W	CB	FC	L	W	CB																																																																																											
6'	175	2.11	1.82	6.93	97	3.61	3.08	6.93	41	6.09	5.04	6.93																																																																																											
9'	78	3.18	2.74	10.4	43	5.41	4.62	10.4	18	9.11	7.58	10.4																																																																																											
12'	43	4.24	3.66	13.9	24	7.22	6.16	13.9	10	12.18	10.12	13.9																																																																																											
15'	28	5.29	4.56	17.3	16	8.97	7.68	17.3	7	15.26	12.6	17.3																																																																																											
18'	19	6.34	5.48	20.8	11	10.82	9.22	20.8	5	18.33	15.14	20.8																																																																																											
Multipliers 1050 lumens: 0.95 1000 lumens: 0.91 900 lumens: 0.82 850 lumens: 0.77 775 lumens: 0.70																																																																																																							

CANDELA DISTRIBUTION						
15° Spot		25° Narrow Beam		40° Flood		
1450 LUMENS	Degree	Candella	Degree	Candella	Degree	Candella
	0°	15244	0°	5720	0°	2510
	5°	12315	5°	5185	5°	2428
	15°	1554	15°	2348	15°	1744
	25°	255	25°	499	25°	853
1100 LUMENS	35°	112	35°	125	35°	270
	45°	49	45°	48	45°	77
	0°	8390	0°	4660	0°	1956
	5°	6521	5°	3970	5°	1824
	15°	1072	15°	1317	15°	1047
900 LUMENS	25°	235	25°	323	25°	436
	35°	79	35°	106	35°	177
	45°	51	45°	45	45°	78
	0°	5027	0°	2590	0°	1197
	5°	3917	5°	2166	5°	1125
	15°	831	15°	870	15°	797
	25°	187	25°	248	25°	402
	35°	68	35°	85	35°	151
	45°	22	45°	34	45°	55

WARNING: Not for use in fully enclosed luminaires. Risk of electric shock. Use in an indoor, dry location only. This device is not intended for use with emergency exit fixtures or emergency exit lights. May not be compatible with all dimmers; please visit solais.com/dimming for up-to-date dimmer compatibility information.
NOTES: This device complies with Part 15 of the FCC Rule. This product may cause interference with other devices. If interference occurs, change the locations of the products involved. **Compatible on 120v systems.**



Luxiance utilizes active cooling to remove heat from the LED system - allowing Solais LED lamps to operate cooler, resulting in superior life, light output, and performance.



X-Changeable is our all-in-one technology that incorporates the optics, LEDs, driver and power within a replaceable module. This allows you to change the lumen output, color temperature, beam angle and trim color with ease.



Thermal Throttle – In the event that Solais products begin to overheat, they will undetectably dim themselves to protect your technology investments.



VioLight radiates superior quality, enhancing colors in merchandise, making colors more vibrant and offering a truly competitive LED replacement for CMH-like crispness.