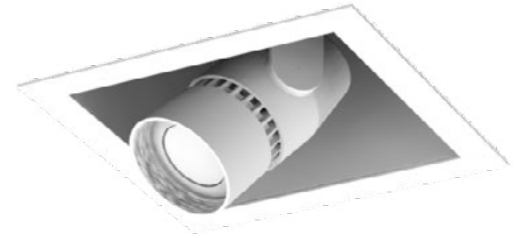


XAR11 Integral

LOW-MID OUTPUT | 1-HEAD
ADJUSTABLE RECESSED MULTIPLE

- / Made-to-order product*
- / 2 self-locking aiming height positions
- / 0-50° vertical tilt; 360° rotation
- / Integral individually specifiable optics
- / 120 V Standard; 277 V* available
- / 50,000 Hours (L70)
- / Integrated driver
- / RoHS-compliant
- / Dry location rating
- / Certified to UL Standards
- / Rated for IC and Non-IC use
- / Designed for new construction ceilings only
- / Contain no lead or mercury
- / Fully dimmable; Compatibility list available.
- 0-10 V Dimming option available*

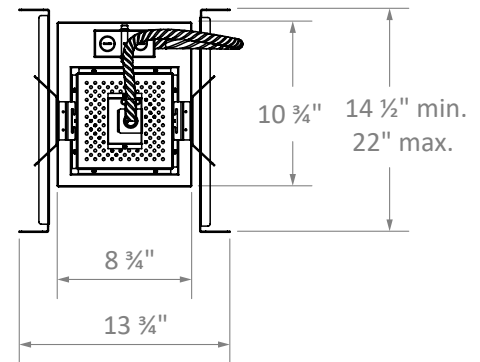
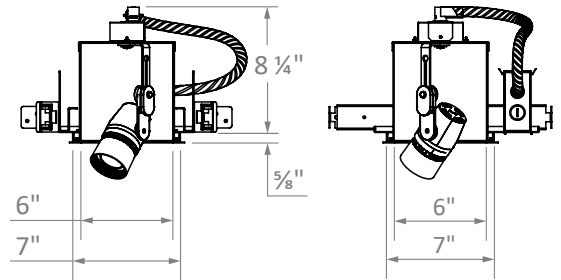
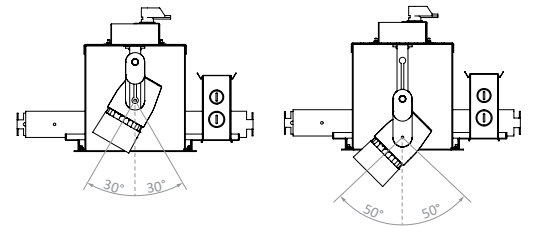
- / VioLight and *MonoWhite color rendering enhancements available
- / *90+ High CRI available for 27K and 30K. Consult factory for availability in other color temperatures. To order, replace 'K' in CCT designation with 'h' in code below.



Integral Fixture Weight: X.X lb
Ceiling Cut-Out: 7 1/8" x 7 1/8"

Position 1

Position 2



Ordering Information

Example: XAR11/X20/25/30K/900/WH/WH/SL

Fixture	Optic	Beam Spread	CCT / Lumens	Options + Accessories
XAR11	X20	COB-optic	25K* / 775	277 - 277 V*
		15c	27K / 850	010 - 0-10 V Dimming*
		25c	30K / 900	TS - Tapered Snoot
		40c	30m* / 900	HL - Honeycomb Louver
			35K* / 900	SL - Linear Spread
			35m* / 900	SP - Prismatic Spread
			40K* / 900	More Accessories Available
		Multi-optic	30v / 1450	
		15m		
		25m		
		40m		
		Specialty	27K / 500	
		08*	30K / 500	

Finish

Die-cast, Powder Coated
WH / WH - White Module, Interior + Flange
BK / BK - Black Module, Interior + Flange
BK / WH* - Black Module + Interior, White Flange



Warranty



IES Files



Dimmers



Accessories

*Consult factory for lead time and availability

Note: VioLight, MonoWhite and High CRI products will produce up to 20% less measured lumens than their standard CCT equivalent; Although, perceived lumens will be noticeably higher than their standard counterparts.

XAR11 Integral

LOW-MID OUTPUT | 1-HEAD
ADJUSTABLE RECESSED MULTIPLE

PROJECT _____

TYPE _____

Module Code				Power (Watts)	CBCP (cd)	Standard CRI	
Module	Beam Angle	CCT	Delivered Lumens				
X20 Optic	15c	25K*	775	12.5	4300	83	
	25c						
	40c						
	15c	27K	850				
	25c						
	40c						
	15c	30K	900				
	25c						
	40c						
	15c	30m*	≈900			5000	90
	25c						
	40c						
15m	30v	≈1450			12967	83	
25m							
40m							
08	27K	500		12	15959	75	
	30K						

CANDELA DISTRIBUTION						
15° Spot		25° Narrow Beam		40° Flood		
1450 LUMENS	Degree	Candella	Degree	Candella	Degree	Candella
	0°	15244	0°	5720	0°	2510
	5°	12315	5°	5185	5°	2428
	15°	1554	15°	2348	15°	1744
	25°	255	25°	499	25°	853
	35°	112	35°	125	35°	270
	45°	49	45°	48	45°	77
1100 LUMENS	0°	8390	0°	4660	0°	1956
	5°	6521	5°	3970	5°	1824
	15°	1072	15°	1317	15°	1047
	25°	235	25°	323	25°	436
	35°	79	35°	106	35°	177
900 LUMENS	45°	51	45°	45	45°	78
	0°	5027	0°	2590	0°	1197
	5°	3917	5°	2166	5°	1125
	15°	831	15°	870	15°	797
	25°	187	25°	248	25°	402
	35°	68	35°	85	35°	151
	45°	22	45°	34	45°	55

APPLICATION DATA													
D	Diameter				L	Length (50% of Max FC)				W			
DF	Distance to Floor				W	Width (50% of Max FC)				CB			
FC	Illuminance (Foot Candles)				CB	Distance to Center of Beam							
1450 LUMENS MULTI-OPTIC													
0° AIMING ANGLE HORIZONTAL FOOTCANDLES													
	15° Spot			25° Narrow Beam			40° Flood						
DF	D	FC	D	FC	D	FC	D	FC	D	FC	D	FC	
6'	1.58	423	2.66	159	4.36	70							
9'	2.36	188	4	71	6.56	31							
12'	3.16	106	5.32	40	8.74	17							
15'	3.94	68	6.66	25	10.92	11							
18'	4.74	47	7.98	18	13.1	8							
30° AIMING ANGLE HORIZONTAL FOOTCANDLES													
	15° Spot			25° Narrow Beam			40° Flood						
DF	FC	L	W	CB	FC	L	W	CB	FC	L	W	CB	
6'	317	2.11	1.82	6.93	119	3.61	3.08	6.93	52	6.09	5.04	6.93	
9'	141	3.18	2.74	10.4	53	5.41	4.62	10.4	23	9.11	7.58	10.4	
12'	79	4.24	3.66	13.9	30	7.22	6.16	13.9	13	12.18	10.12	13.9	
15'	51	5.29	4.56	17.3	19	8.97	7.68	17.3	8	15.26	12.6	17.3	
18'	35	6.34	5.48	20.8	13	10.82	9.22	20.8	6	18.33	15.14	20.8	
Multipliers 1400 lumens: 0.97													
1100 LUMENS COB-OPTIC													
0° AIMING ANGLE HORIZONTAL FOOTCANDLES													
	15° Spot			25° Narrow Beam			40° Flood						
DF	D	FC	D	FC	D	FC	D	FC	D	FC	D	FC	
6'	1.58	233	2.66	129	4.36	54							
9'	2.36	104	4	58	6.56	24							
12'	3.16	58	5.32	32	8.74	14							
15'	3.94	37	6.66	21	10.92	9							
18'	4.74	26	7.98	14	13.1	6							
30° AIMING ANGLE HORIZONTAL FOOTCANDLES													
	15° Spot			25° Narrow Beam			40° Flood						
DF	FC	L	W	CB	FC	L	W	CB	FC	L	W	CB	
6'	175	2.11	1.82	6.93	97	3.61	3.08	6.93	41	6.09	5.04	6.93	
9'	78	3.18	2.74	10.4	43	5.41	4.62	10.4	18	9.11	7.58	10.4	
12'	43	4.24	3.66	13.9	24	7.22	6.16	13.9	10	12.18	10.12	13.9	
15'	28	5.29	4.56	17.3	16	8.97	7.68	17.3	7	15.26	12.6	17.3	
18'	19	6.34	5.48	20.8	11	10.82	9.22	20.8	5	18.33	15.14	20.8	
Multipliers 1050 lumens: 0.95 1000 lumens: 0.91 900 lumens: 0.82 850 lumens: 0.77 775 lumens: 0.70													

WARNING: Not for use in fully enclosed luminaires. Risk of electric shock. Use in an indoor, dry location only. This device is not intended for use with emergency exit fixtures or emergency exit lights. May not be compatible with all dimmers; please visit solais.com/dimming for up-to-date dimmer compatibility information.

NOTES: This device complies with Part 15 of the FCC Rule. This product may cause interference with other devices. If interference occurs, change the locations of the products involved. **Compatible on 120v systems.**



Luxiance utilizes active cooling to remove heat from the LED system - allowing Solais LED lamps to operate cooler, resulting in superior life, light output, and performance.



Thermal Throttle – In the event that Solais products begin to overheat, they will undetectably dim unthemselves to protect your technology investments.